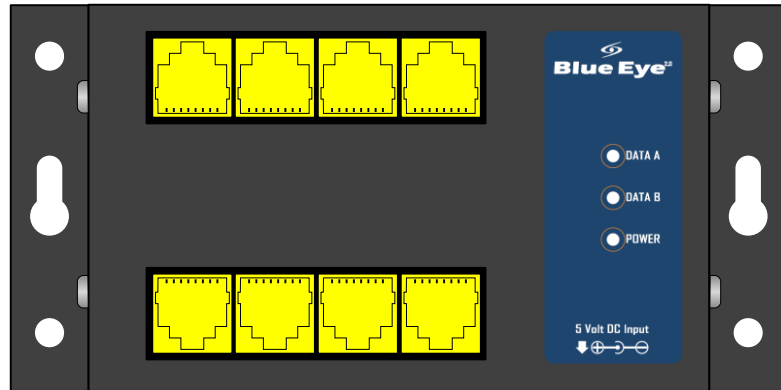
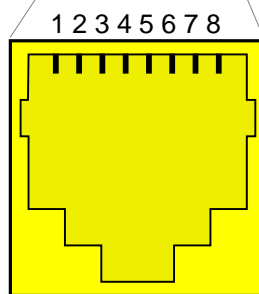


## 8 PORT HUB PLAN



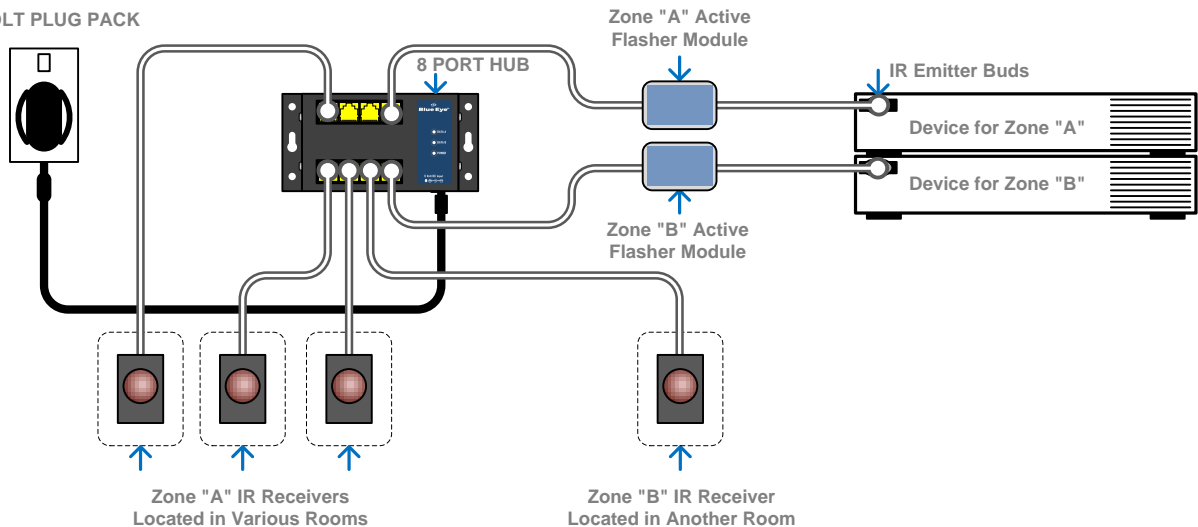
- 1) 0 VOLT (GROUND)
- 2) +5 VOLT SUPPLY
- 3) CH-B SIGNAL IN
- 4) NOT CONNECTED
- 5) NOT CONNECTED
- 6) CH-B SIGNAL OUT
- 7) CH-A SIGNAL IN
- 8) CH-A-SIGNAL OUT



5 VOLT  
DC INPUT

## 8 PORT HUB INSTALLATION EXAMPLE

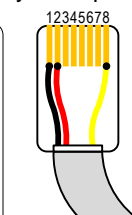
5 VOLT PLUG PACK



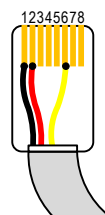
### RJ45 WIRING CONFIGURATIONS

The diagrams below show the various wiring configurations for Blue Eye RJ45 terminals. Please note that unless specially ordered, all Blue Eye components are wired for Zone "A".

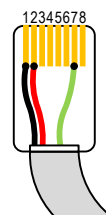
- 1) 0 VOLT (GROUND)
- 2) +5 VOLT SUPPLY
- 3) ZONE "B" SIGNAL IN
- 4) NOT CONNECTED
- 5) NOT CONNECTED
- 6) ZONE "B" SIGNAL OUT
- 7) ZONE "A" SIGNAL IN
- 8) ZONE "A" SIGNAL OUT



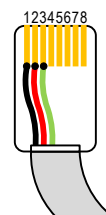
Wired for Zone "A"  
Flasher



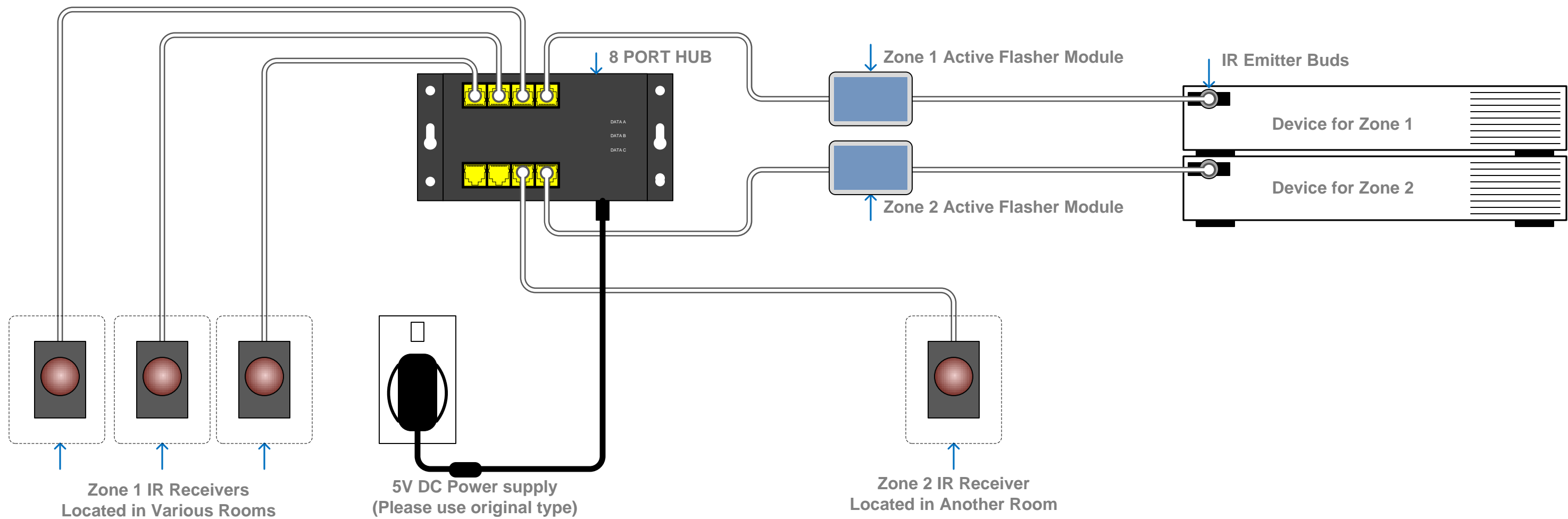
Wired for Zone "B"  
Flasher

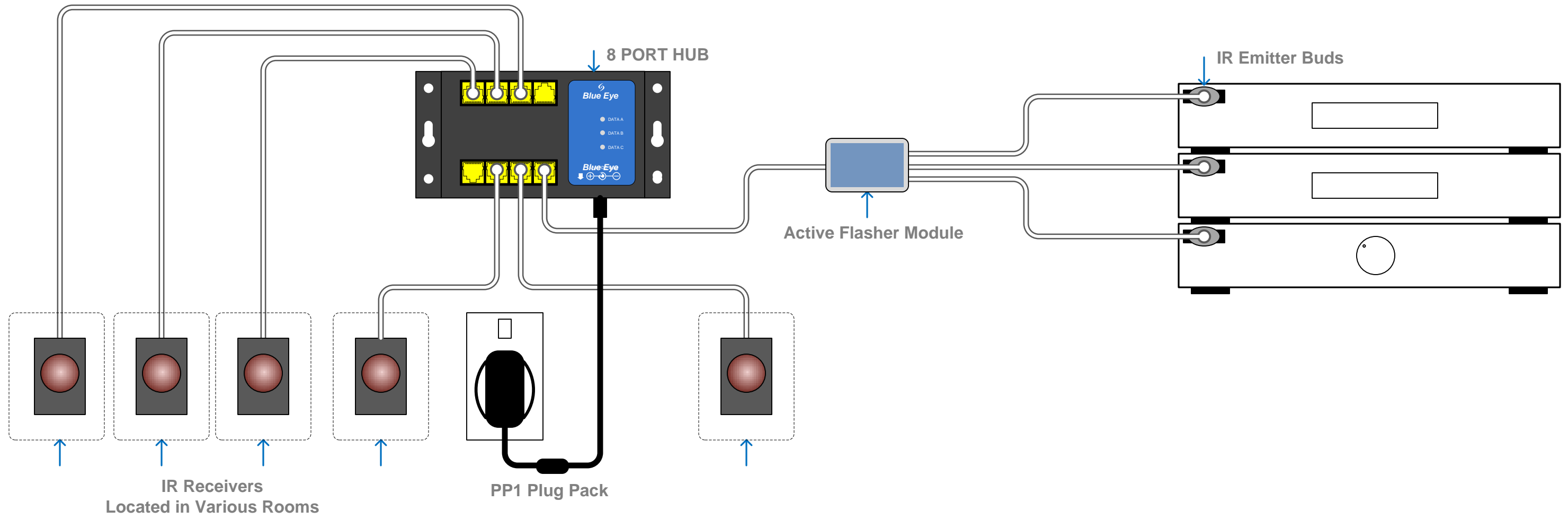


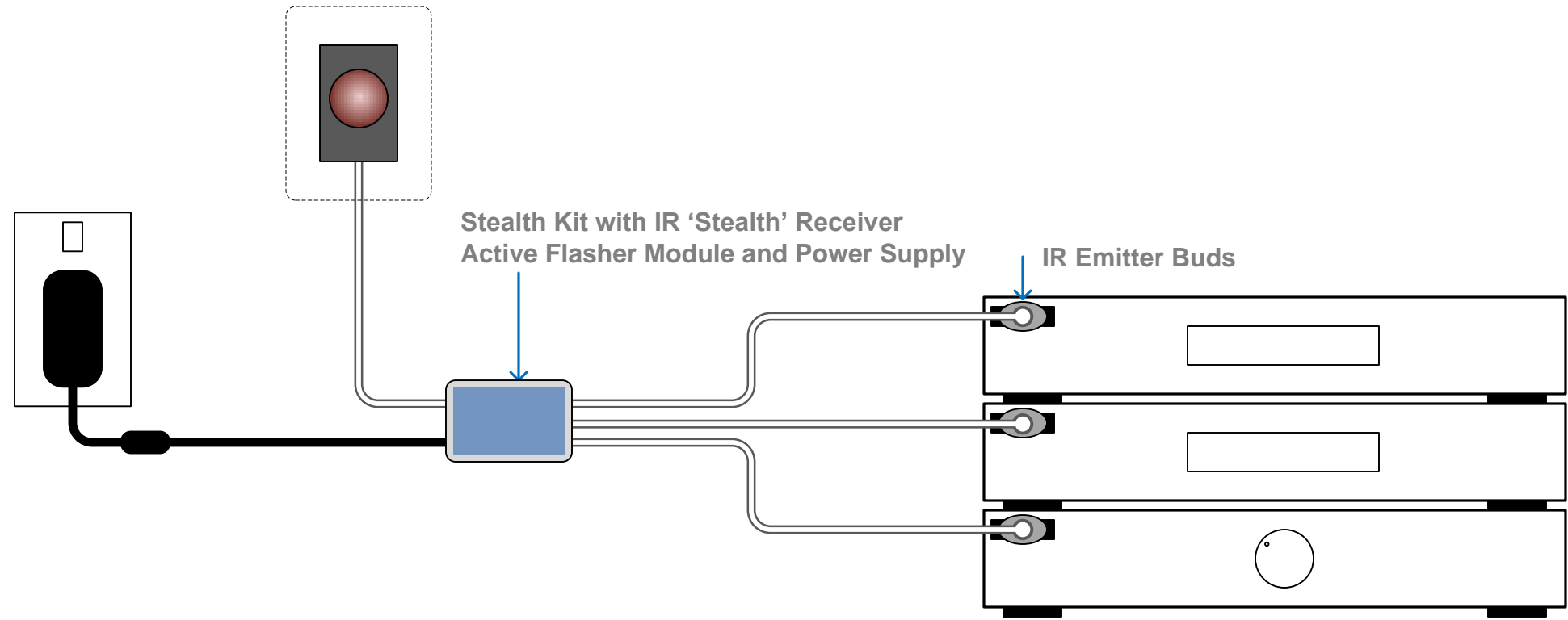
Wired for Zone "A"  
IR Receiver



Wired for Zone "B"  
IR Receiver



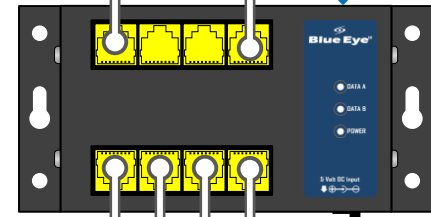
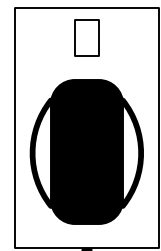




Stealth Kit with IR 'Stealth' Receiver  
Active Flasher Module and Power Supply

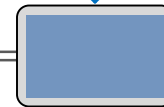
IR Emitter Buds

5 VOLT PLUG PACK



8 PORT HUB

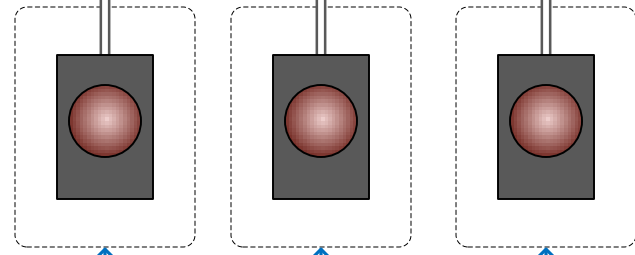
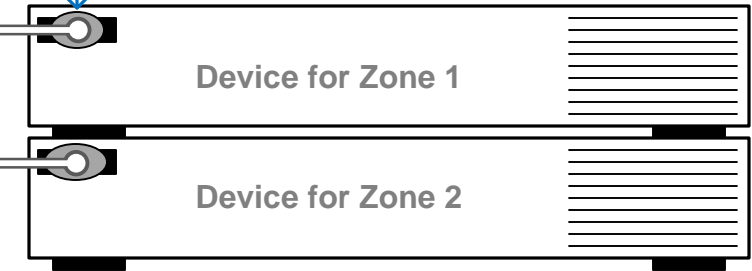
Zone 1 Active Flasher Module



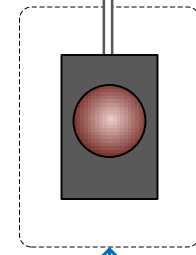
Zone 2 Active Flasher Module



IR Emitter Buds



Zone 1 IR Receivers  
Located in Various Rooms



Zone 2 IR Receiver  
Located in Another Room

